



Adaptability and Enhanced Aiming

When engaging in long-distance shooting, you can also use a 3x scope (optional) for a more precise shooting experience.



Model	Fast FAH25/1x34D
Detector Specifications	
Thermal Sensor	640x512, 12µm
NETD, mK	≤25
Optical Specifications (IR Channel)	
Objective Lens,	f25/F1.0
Field of View (HxV) , degrees / m at 100m	17.5x14
Detection Range, m (Target size: 1.7m×0.5m, P(n)=99%)	590
Optical Specifications (Day Channel)	
Magnification, x	1x
Window Size, mm	34x25
Eye Relief, mm	90
Display Specifications	
Display	OLED with high brightness
Color	Green
Battery Power Supply	
Battery	2×CR123
Max. operating Time (22 C)*, h	Thermal mode>4h Red dot mode>65h
Physical Specifications	
Weight (with battery) , g	<652
Dimension, mm	175x63x104



InfiRay Technologies Co., Ltd.

Tel: 400-998-3088

Fax: +86-535-3410604

Mail: infirayoutdoor@infiRay.com

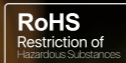
Web: www.infiRayoutdoor.com



Thermal + Red Dot Fusion Scope FAST SERIES »»»

Seamless Fusion, Tactical Precision Unleashed

FAH25/1 x 34D



InfiRay Outdoor 🔍



All-in-One Day & Night Scope

Fast FAH25: The All-in-One day & night scope for Every Mission. Elevate your tactical shooting experience with Fast FAH25.

Versatile Image Modes for Every Shooting Scenario

Fast FAH25 offers a unique advantage with its four distinct image modes, catering to a wide range of shooting needs. Whether it's daytime camouflage detection, navigating through dense smoky environments, enhancing target visibility in wooded terrain, or operating in the cover of night with infrared vision, Fast FAH25's versatile image modes have you covered.



Original

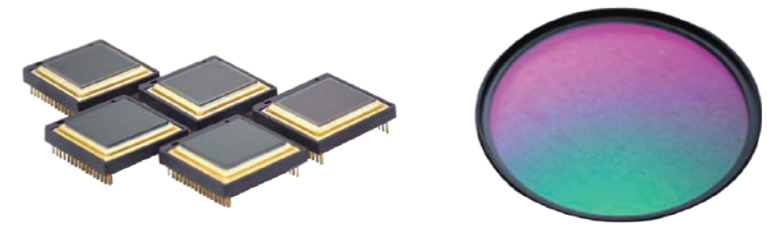
Target Highlight

Target Outline in Fog

Target Highlight in Fog

Unmatched Clarity and Sensitivity

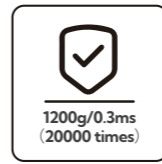
Fast FAH25 features a state-of-the-art 12μm, 640x512 resolution sensor with NETD<25mK for exceptional sensitivity. Its advanced multi-layer coating technology minimizes stray light interference, ensuring excellent transparency for daytime use.



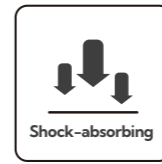
Rugged, Reliable, Ready



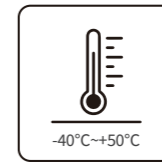
IP67 Waterproof



Impact Resistance
1200g/0.3ms
(20000 times)

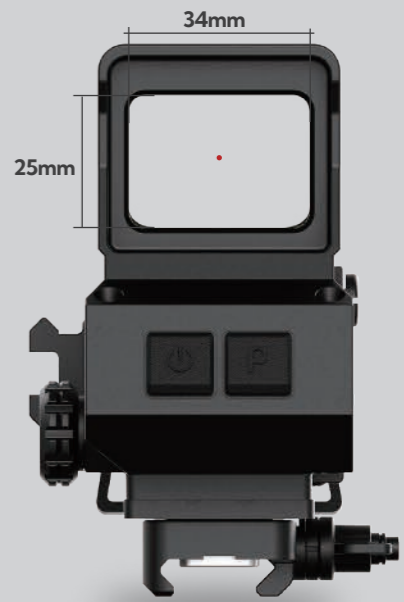


Shock-absorbing Mount



Extreme Temperature Resistant
-40°C~+50°C

1x Magnification



Wide View, Rapid Aim

Fast FAH25's design includes a generous 34mm x 25mm viewing window and a 1x magnification rate, allowing users to effortlessly spot and track targets with precision.